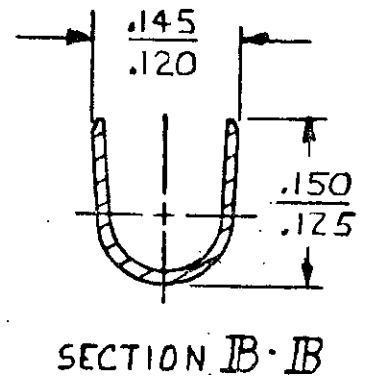
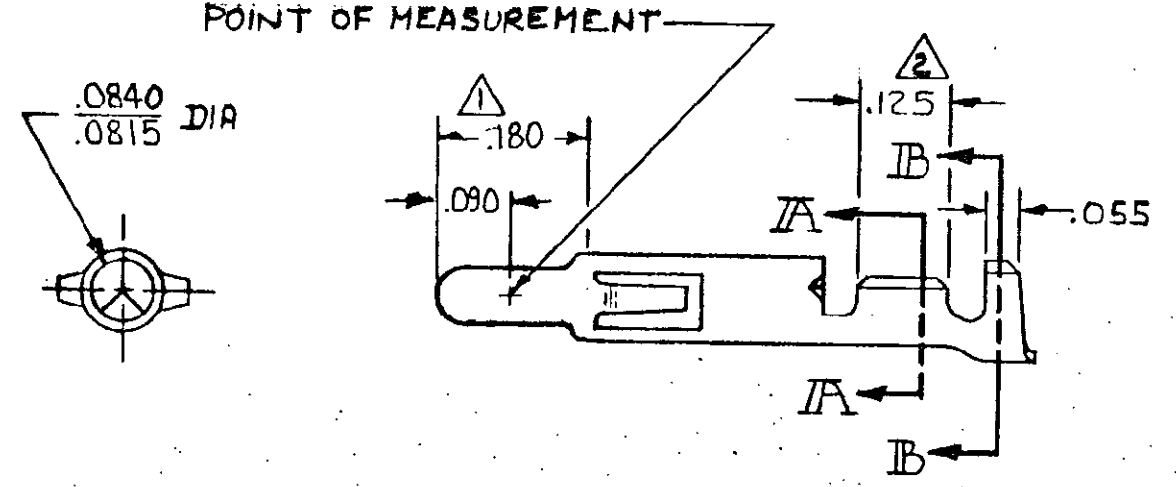
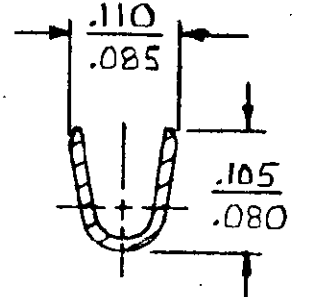
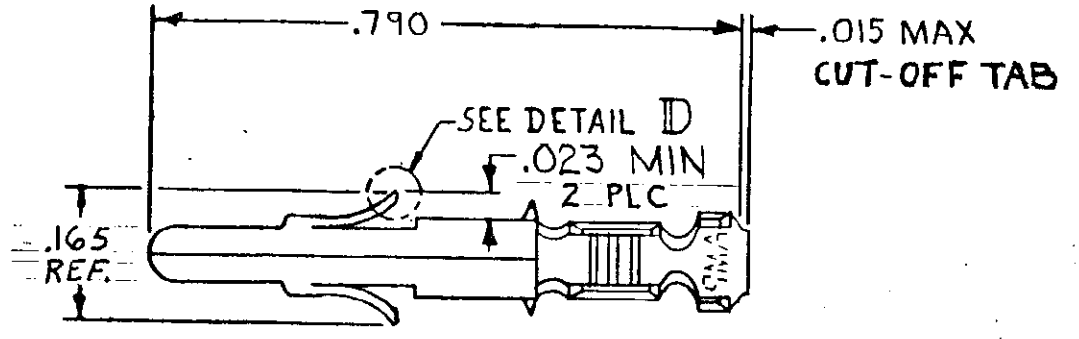
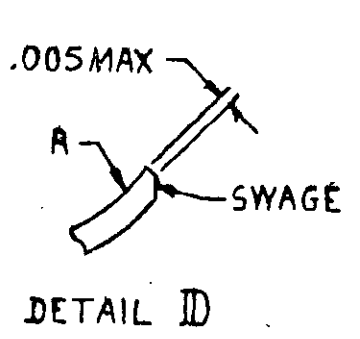


© COPYRIGHT 1974 BY AMP INCORPORATED, HARRISBURG, PA.  
 ALL INTERNATIONAL RIGHTS RESERVED, AMP INCORPORATED PRODUCTS  
 COVERED BY U. S. AND FOREIGN PATENTS AND/OR PATENTS PENDING.



- ① PLATED WITH .000030 GOLD, OVER .000050 NICKEL UNDERPLATE.
- ② PLATED INTERNALLY WITH .000030 GOLD.

		REVISIONS				
P	F	ZONE	LTR	DESCRIPTION	DATE	APPROVED
✓	✓		G	REDRAWN W/D CHANGE M-6457	6-5-81	MSF/S.H.
✓	✓		H	REVISED M-7350	7/25/83	DAS/S.H.
✓	✓		J	REVISED AG 57	10/21/83	St. Kelley, James
✓	✓		J <sub>1</sub>	RESTORED	4/4/85	B.K.O./RS
✓	✓		K	REVISED PER CM-1728	9-6-88	PH TB
✓	✓		L	REVISED PER CM-3286	2-7-91	PKC RS
✓	✓		M	REV PER EC 0730-3607-91	1-7-94	RV RS
✓	✓		N	REV PER EC 0730-0156-94	8-24-94	RV RS

GOLD	① .012 BRASS	350690-7
PRE-TIN	.012 PH. BRZ.	350690-3
GOLD	①② .012 BRASS	350690-2
PRE-TIN		350690-1
FINISH	MATERIAL	PART NO

UNLESS OTHERWISE SPECIFIED DIMENSIONS ARE IN INCHES. TOLERANCES ON: DECIMALS ± .015 ANGLES ±		CONTRACT NO		<b>AMP</b>   AMP INCORPORATED Harrisburg, Pa.	
WIRE RANGE 24-18 AWG		DR M. FEHER 5-6-81			
INSULATION RANGE .100 DIA MAX		CHK J.S. Heide 6/9/81		NAME PIN, (LOOSE PIECE) UNIVERSAL MATE-N-LOK	
		APPD R. Poloskup 6-10-81		SIZE B CODE IDENT NO 00779 DRAWING NO 350690	
		DSGN APPD		SCALE 4-1 SHEET -H-	
		OTHER APPD			